



**PORT OF GUAM**  
 ATURIDAT / PUETTON GUAHAN  
 Jose D. Leon Guerrero Commercial Port  
 1026 Cabras Highway, Suite 201, Piti, Guam 96915  
 Telephone: 671-477-5931/35 Facsimile: 671-477-2689/4445  
 Website: [www.portguam.com](http://www.portguam.com)



**Lourdes A. Leon Guerrero**  
 Governor of Guam  
**Joshua F. Tenorio**  
 Lieutenant Governor

**INVITATION FOR BID No.: IFB/PAG-001-24**

**DESCRIPTION:**

**HYSTER TOP LOADER EQUIPMENT PARTS BID**

**ADDENDUM NO. 1**

**DATE: Monday, March 18, 2024**

**ALL PROPOSERS MUST ACKNOWLEDGE RECEIPT OF THIS AMENDMENT ON AREA PROVIDED BELOW AND RETURN COPY TO PAG PROCUREMENT OFFICE: Fax: (671) 472-1439 or Email: Mark Cabrera at [macabrera@portofguam.com](mailto:macabrera@portofguam.com) and [pagprocurement@portofguam.com](mailto:pagprocurement@portofguam.com).**

**NOTICE TO OFFERORS:** The IFB Documents of the above-referenced project are to include the following:

- 1. Questions/ Concerns and Responses**

**\*\*\* END OF ADDENDUM NO. 1 \*\*\***

Issued By:

  
**RORY J. RESPICIO**  
 General Manager

**NAME OF PROPOSER:** \_\_\_\_\_

**AUTHORIZED SIGNATURE:** \_\_\_\_\_

**PRINT NAME:** \_\_\_\_\_

**DATE:** \_\_\_\_\_ **TIME:** \_\_\_\_\_

INVITATION FOR BID No.: IFB/PAG-001-24  
Hyster Top Loader Equipment Parts BID

**ADDENDUM 1 - QUESTIONS, CONCERNS, AND RESPONSES**

Please see below the questions submitted by Prospective Bidder:

Landscape Management Systems:

**Question 1:** Line# 12.0 – Wear Pad P/N 231-743983 is not a valid Hyster OEM part number. Is the 'wear pad' for the mast (wear pad with gantry carriage)? Please provide a copy of the parts diagram from the parts manual.

**PAG Response:** Part number provided is for an Elme attachment reference the illustration on the next page.  
Alternate part number: 1332310.

\*\*\*\*\* PLEASE SEE ILLUSTRATION ON THE NEXT PAGE \*\*\*\*\*

**Question 1 Response Illustration:**

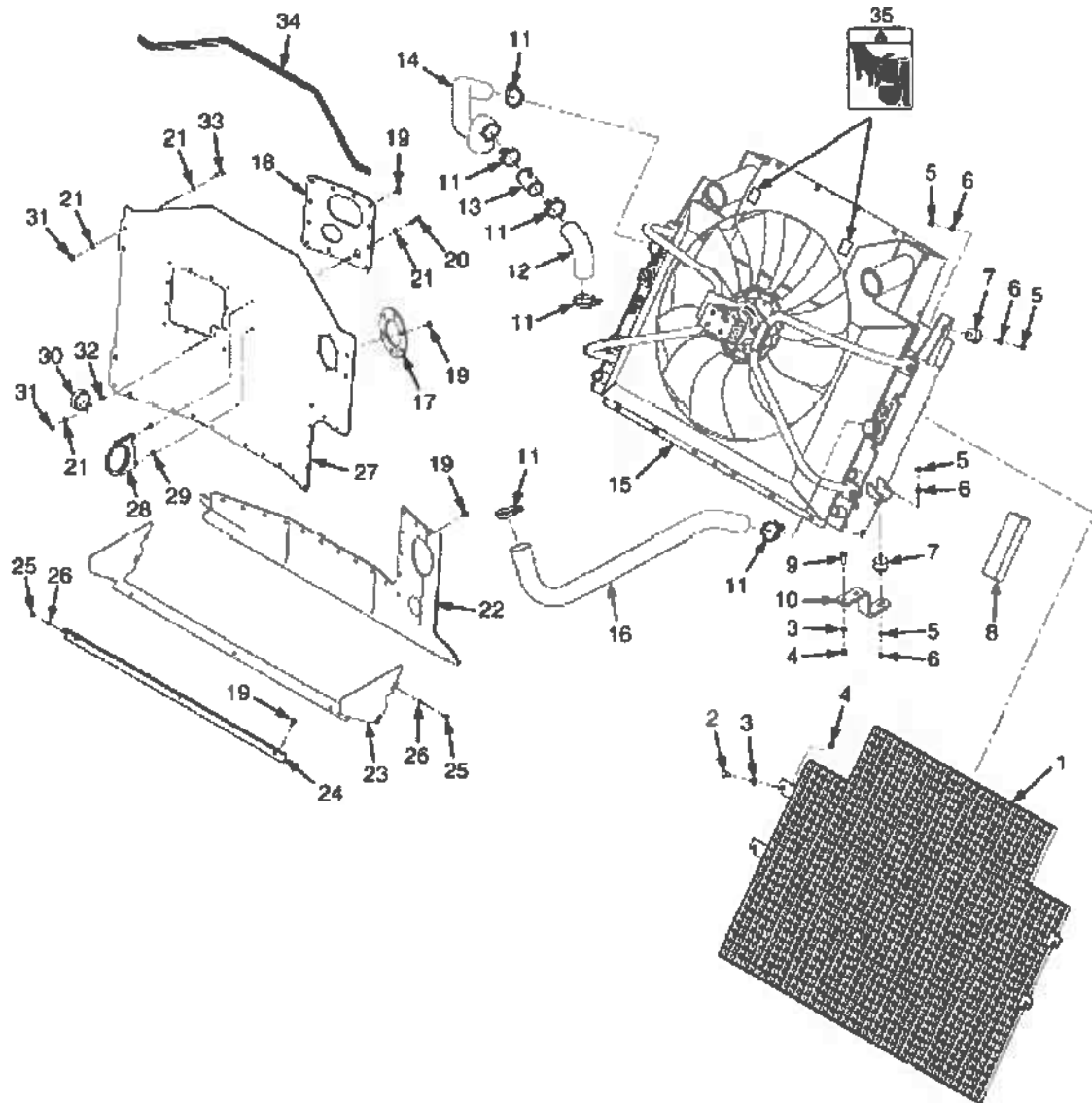
WEAR PADS				PAGE NO. D 510-829
Multiply Qty's by 2 for a complete spreader				
Note	Item	Part no	Qty	Part name
	1	765 205	6	Bolt M6S M12x55
	2	760 557	6	Washer M12 Nordlock
	3	755 621	1	Shim
	4	743 963	9	Wear pad
	5	780 989	28	Bolt M6S M10x25
	6	780 336	28	Washer M10 Nordlock
	7	771 607	6	Retainer
	8	743 610	2	Wear pad
	9	776 369	1	Retainer
	10	776 677	1	Retainer
	11	776 676	1	Retainer
	12	772 047	1	Retainer
	13	740 735	1	Wear pad
	14	781 651	2	Bolt M6S M12x50
	15	760 557	2	Nut Nordlock M12

**Question 2:** Line# 17.0 – Cooler Assembly P/N 4027096 is a Hyster radiator and not a 'cooler Assembly'. Please check and verify the parts description and (or) provide a copy of the parts diagram from the parts manual.

**PAG Response:** Please reference the attachment for the 2016 Hyster top lifter.

\*\*\*\*\* PLEASE SEE ILLUSTRATION ON THE NEXT PAGE \*\*\*\*\*

**COOLING SYSTEM (FIGURE 2-1)**



HP000090

**COOLING SYSTEM**

ITEM	PART NO.	DESCRIPTION	QTY
1	4025615	Grid .....	1
2	1615240	Capscrew .....	4
3	1581559	Washer .....	8
4	1581849	Nut .....	8
5	1581567	Nut .....	8
6	1581557	Washer .....	8
7	1519855	Isolator .....	4
8	361988	Foam Tape .....	AR
9	1581591	Capscrew .....	4
10	4015796	Bracket (Radiator) .....	2
11	4018397	Hose Clamp .....	6
12	4039721	Hose (To Thermostat Housing) .....	1
13	4038168	Tube .....	1
14	4074525	Hose .....	1
15	4027096	Cooler Assembly (≠ Figure 2-2).....	1
16	4032313	Hose (Coolant) (To Engine) .....	1
17	4067702	Screen .....	1
18	4074526	Screen .....	1
19	1484308	Rivet .....	45
20	292515	Capscrew .....	1
21	320159	Washer .....	14
22	4067694	Screen .....	1
23	4034744	Plate .....	1
24	4034743	Plate .....	1
25	1581580	Capscrew .....	8
26	1581556	Washer .....	9
27	4067693	Plate .....	1
28	1391427	Clamp .....	1
29	1375848	Spacer .....	2
30	385107	Clamp (Insulated) .....	1
31	302401	Locknut .....	6
32	1367634	Spacer .....	1
33	136985	Capscrew .....	6
34	4046938	Trim .....	1
35	1300094	Label (Fan Warning) .....	2

**Question 3:** Requesting an extension of the 60-day delivery period to 90 days' delivery. Major components listed in the bid, Hydraulic Cylinder (Line# 4.0) and cooler assembly (Line# 17.0, Radiator?) have a lead time of 75-90 days to supply.

**PAG Response:** Due to the size and weight of these lines 90-day delivery is acceptable.

\*\*\*\*\* NOTHING FOLLOWS \*\*\*\*\*